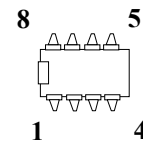


**INTERVAL AND WIPE/WASH WIPER CONTROL IC**

**Description**

The IC УР1101ХП24 is used for providing intermittent operation and wipe/wash operation of windshield wiper. The IC has a feedback circuit from the wiper motor's park switch. IC works directly on a winding of the relay. IC has internal interference protection according to VDE 0839.

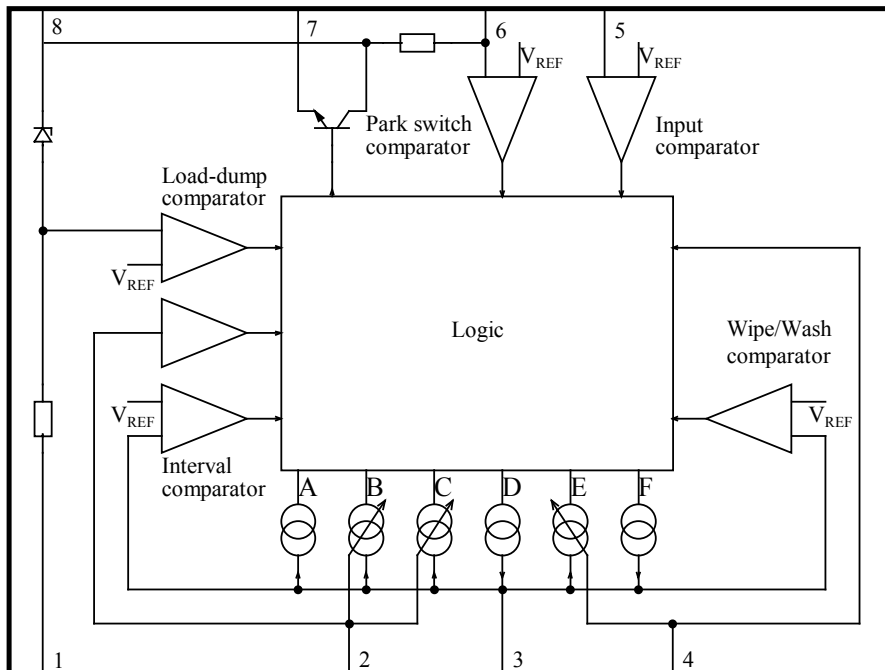


**DIP-8**  
**SO-8**

**Features**

- Supply Voltage 10.8 – 15 V
- Output current 250 mA
- Interval pause: 4 to 20 s
- Afterwiping time: 2 to 20 s
- Wiper motor's park switch
- Wipe/wash mode priority
- One external capacitor, determines all time sequences
- Interference protection according to VDE 0839 or ISO/TR 7637/1
- Overvoltage threshold 35 V
- Operating Temperature Range –45...85°C

**Block Diagram**



**Pin configuration**

Pin	Pin function
1	Ground
2	Interval switch
3	Timing capacitor Ct
4	Afterwiping time resistance
5	Wipe/Wash switch
6	Park switch for wiper motor
7	Relay control output
8	Supply voltage

## ELECTRICAL SPECIFICATION ( $T_A = 25^{\circ}\text{C}$ )

The name of parameter		Units	Symbol	Min.	Max.	Conditions
1. Saturation voltage		V	$U_{DS3}$	-	1,3	$V_{CC}=15\text{V}$
2. Quiescent current		mA	$I_{cc}$	-	18	$V_{CC}=15\text{V}$
3. Interval time		s	$t_{INT}$	-	5.0	$V_{CC}=10.8\div 15\text{V}$
4. After-wipe-time		s	$t_{WIW}$	4.0	-	$V_{CC}=10.8\div 15\text{V}$
5. Switch-on time	YP1101XII24	s	$t_{DON}$	-	0.13	$V_{CC}=10.8\div 15\text{V}$
	YP1101XII24A		$t_{DON}$	0.25	0.4	$V_{CC}=10.8\div 15\text{V}$

### Application Circuit

